

JC180136

ToughLED Pro CCT

ToughLED™ Pro 6ft 37/50/60/72W 3000K/4000K/5700K IP66 FR

Features & Benefits

- Multi Wattage and CCT selectable
- 90° Lock-in-place side clip design, keeps clips clear during installation
- Detachable 4 pin terminal block with multiple positions adjacent to all cable entry points
- Inbuilt loop-in/loop-out cable restraints to ensure that cables do not clash when closing the fixture
- Plug & play emergency & microwave sensor modules with optional remote control
- Ultra-wide surface mount bracket rail to enable flexibility to locate joists
- Wide body for retrofitting BESA conduit box mounting, with rear, side and end conduit entry points
- Unique rear IP66 gasket, sealing cable entry from within the fixture for surface mounting applications
- 4ft, 5ft, 6ft single and twin light outputs in both opal and prismatic diffuser options
- Microwave step dimmable, DALI and 1-10V dimmable options available
- High efficiency up to 165 lpcW, IP66, IK10
- 5-year extended warranty on fixture and batteries



General Information

| | |
|--------------------|---|
| Mounting | Surface or Suspended |
| Trade Name | ToughLED™ Pro |
| Environment | Suitable for exterior and interior applications |
| Suitable For Zones | Zone 1 |
| Product Group | LED - Surface |
| Color Finish | Grey |
| Product Shape | Rectangular |
| Product Range | ToughLED™ Pro |
| IK Rating | IK10 |

| | |
|------------------------------|---|
| Overall Dimensions | 1870 x 96 x 81.3 |
| Length (mm) | 1870 |
| Width (mm) | 96 |
| Height (mm) | 81.3 |
| Product Weight(kg) | 2.10 |
| Light Source | LED |
| Light Source Features | 3 CCT Selectable |
| Recommended product location | Wall or Ceiling Mount or suspended, suitable for a wide variety of applications. Including Warehouses/storage facilities. Car parks and manufacturing. |
| Method of fix | Mounting Brackets, Suspension chains or conduit mounting |
| Distance from lighted object | 0.3m |
| IP Rating | IP66 |
| Origin of manufacturer | Made in China |
| Warranty | 5 Year Warranty (See Website for terms and conditions) |
| Driver manufacturer | JCC |
| LED manufacturer/type | Runlite/2835 |
| Customs Tariff code** | 9405494000 |

Electrical

| | |
|--------------------------------------|-----------------------------|
| Voltage Rating | 220-240 |
| Primary Running Current(Amp) | 0.4 |
| Inrush current(Amps) | <20A @240V |
| Operating Frequency Hz | 50/60 |
| Secondary running current(mA) | 650/850/1050/1250 |
| Constant Current or Constant Voltage | Constant Current |
| Luminaire Circuit Wattage1 | 37 |
| Luminaire Circuit Wattage2 | 50 |
| Luminaire Circuit Wattage3 | 60 |
| Luminaire Circuit Wattage4 | 72 |
| Class | I |
| Output Voltage Max/Range (VDC) | 40-56 |
| Total Harmonic Distortion (THD)% | <20 |
| EMC Compliant (EN55015) | Yes |
| Power Factor Correction | 0.9 |
| Input Electrical Connections | Live, Earth, Neutral |
| Dimmable | No |

Thermals

| | |
|--------------------------------|-------------------|
| Thermal Cut Out | Yes |
| Operating Temperature Range °C | -20 to +50 |

Performance Data

| | |
|-------------------|---------------|
| LED Life (Hours)* | 102000 |
|-------------------|---------------|

| | |
|---|--|
| Energy Rating | This product contains a light source of energy efficiency class D |
| Actual Lumen Output1 | 5450 |
| Actual Lumen Output2 | 6950 |
| Actual Lumen Output3 | 8800 |
| Actual Lumen Output4 | 10150 |
| Lumens Per Circuit Watt1 | 147 |
| Lumens Per Circuit Watt2 | 139 |
| Lumens Per Circuit Watt3 | 147 |
| Lumens Per Circuit Watt4 | 141 |
| Standard Deviation Colour Matching - SDCM | <5 |
| Color Rendering Index | 80-89 |
| CRI: Ra | 80 |
| Correlated Colour Temperature1 | 3000 |
| Correlated Colour Temperature2 | 4000 |
| Correlated Colour Temperature3 | 5700 |
| Beam Angle ° | 120 |
| LOR (Light Output Ratio) % | 100 |
| Photometry Available | Yes |

Construction

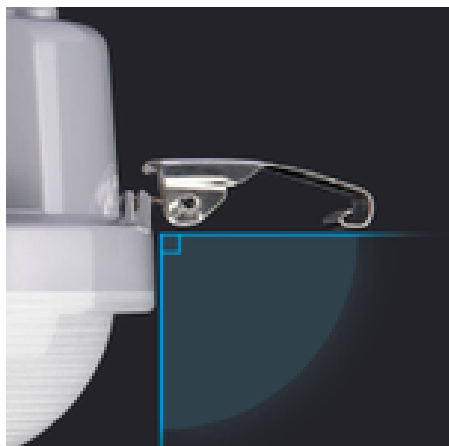
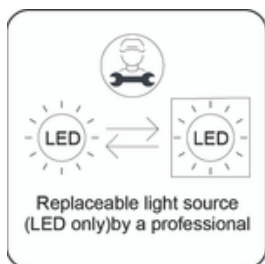
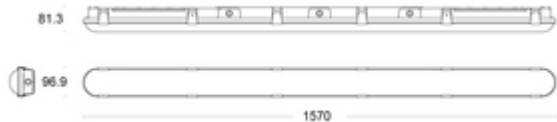
| | |
|------------------|----------------------|
| Primary Material | Polycarbonate |
| Outer Diffuser | Polycarbonate |
| Driver Housing | Polycarbonate |

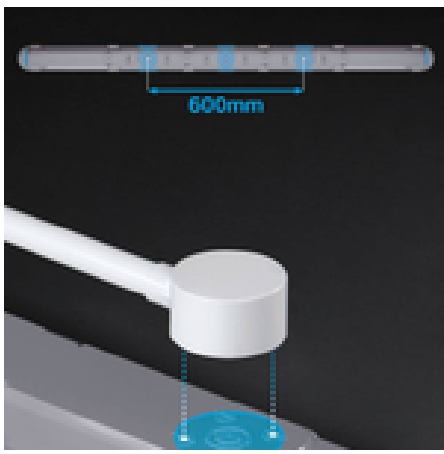
Packaging

| | |
|---------------------------------------|-------------------------|
| Product carton overall dimensions(cm) | 187.5 x 10 x 8.5 |
| Product Packaged Weight(kg) | 2.36 |
| Quantity Per Outer Carton | 6 |
| Outer carton(L)- cm | 189 |
| Outer carton(W)- cm | 21.5 |
| Outer carton(H)- cm | 27 |
| Outer carton Net weight- kg | 14.14 |
| Outer carton Gross weight- kg | 15.04 |
| Product Bar Code EAN-13 Number | 5052544129797 |
| Outer carton Bar Code ITF-14 Number | 15052544129794 |

Standards & Approvals

| | |
|-------------------------------|---|
| Manufactured in accordance to | BS EN 60598:2015, 2-1 |
| CE Marked | Yes |
| UKCA Marked | Yes |
| Date code/Purchase order No. | Yes |
| WEEE symbol | Yes |
| Certificate Of Conformity | Available on request |
| Accredited Members | LIA, ISO9001-2015, ISO14001-2015 |







*Hours life stated is an indication of expected L70 chip and light output calculations when operating in optimum conditions. Product warranty period supports the full product during the term given. The L70 hours expectancy is not correlated with the full product warranty term, nor is it a representation of lumen depreciation during the warranty period.

**JCC Lighting Limited makes every effort to ensure that the Customs Tariff information in this document is timely and accurate. However, it's not possible for us to assure the absolute veracity and completeness of that information, as errors may occur. The placement of any inaccurate tariff information is completely unintentional. JCC Lighting Limited reserves the right, in its sole discretion, to correct any errors or omissions to the tariff code and to make any and all changes contained in this document at any time and without notice. It is the sole responsibility of the importer to ensure that the commodity code advised is correct for the products/goods being supplied by JCC Lighting Limited. JCC Lighting Limited does not assume any liabilities, losses, costs, and expenses arising out of or related to the importers use of this commodity code or the information related to the import of any JCC Lighting products.

JCC Lighting LTD, Lux Park, Chichester Business Park, City Fields Way, Tangmere, Chichester, West Sussex, PO20 2FT.
Sales: 01243 838999 (8am to 5pm Monday to Friday) Fax: 01243 838998 | sales@jcc.co.uk | www.jcc.co.uk
Company Registration Number: 03044848 | VAT Number: 918544112

This document is uncontrolled if printed, all information is subject to change

Version 82 [31/03/2025]